
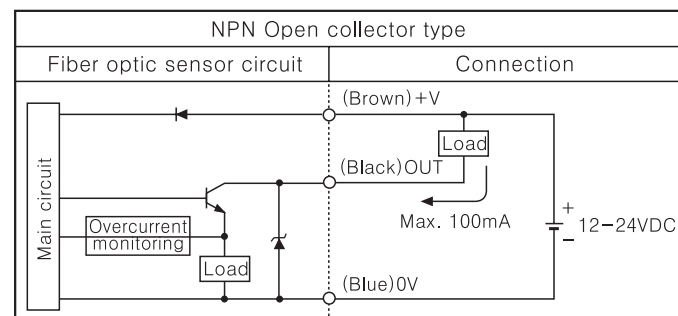


Digital indicating type fiber optic sensor(BF5 series)

Specifications

Model	Dual Display type	Single Display type
	BF5R-D1-N	BF5R-S1-N
Appearances & Dimensions	 [W12×H32.8×L66mm]	
Light source	Red LED(660nm) Pulse modulated light	
Power supply	12-24VDC ±10%	
Current consumption	Max. 50mA	
Control output	NPN Open collector(Sink Current :Max. 100mA, Applied Voltage:Max. 24V, Residual voltage:Max. 1V)	
Protection circuit	Reverse polarity protection, Overcurrent protection, Surge absorption	
Response time	Ultra Fast:50μs, Fast:150μs, STD:500μs, Long:4 ms	Fast:150μs, STD:500μs, Long:4 ms
Display	<ul style="list-style-type: none"> ●Incident light level: Red, 4 digit, 7Segment ●SV : Green, 4 digit, 7Segment ●Main output indicator : Red LED 	<ul style="list-style-type: none"> ●Incident light level / SV : Red, 4 digit, 7Segment ●Main output indicator : Red LED
Display function	Incident light level / SV display [4000/10000 resolution], Percentage display, Peak / Bottom value display, Normal / Reversed display	
Sensitivity setting	Auto tuning mode, 1 point teaching, 2 point teaching, Positioning teaching	Auto tuning mode
Mutual interference prevention	Max. 8 unit sets (Automatically set regardless of response time)	
Initializing	Initializing to factory mode	—
Power saving	Normal / Power save 1 / Power save 2	—
Timer	OFF, Off delay, On delay, One shot	OFF, 10ms off delay timer, 40ms off delay timer

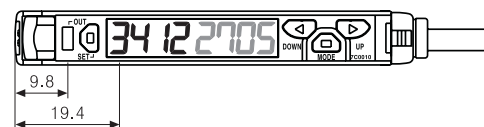
Control output diagram and terminal connections



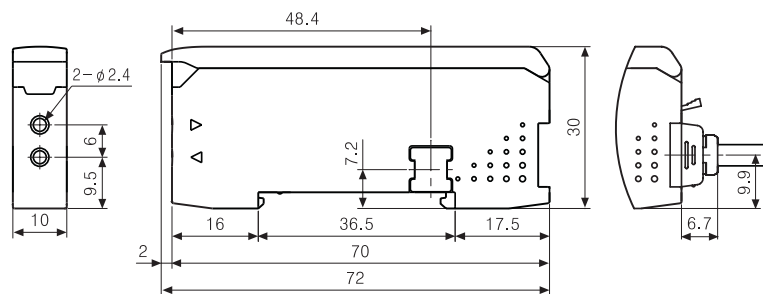
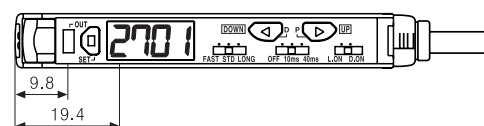
※Connect Diode at external terminal for inductive load.

Dimensions

BF5R-D1-N



BF5R-S1-N



Unit:mm

Counter
Timer
Temp. controller
Power controller
Temp./ Humidity transducer
Thermo couples & RTD
Panel meter
Tacho/ Speed/ Pulse meter
Display unit
Serial converter module
Graphic panel
Sensor controller/ Switching power supply
Proximity sensor
Photo electric sensor
Pressure sensor
Rotary encoder
Stepping motor & Driver & Controller
Field network device